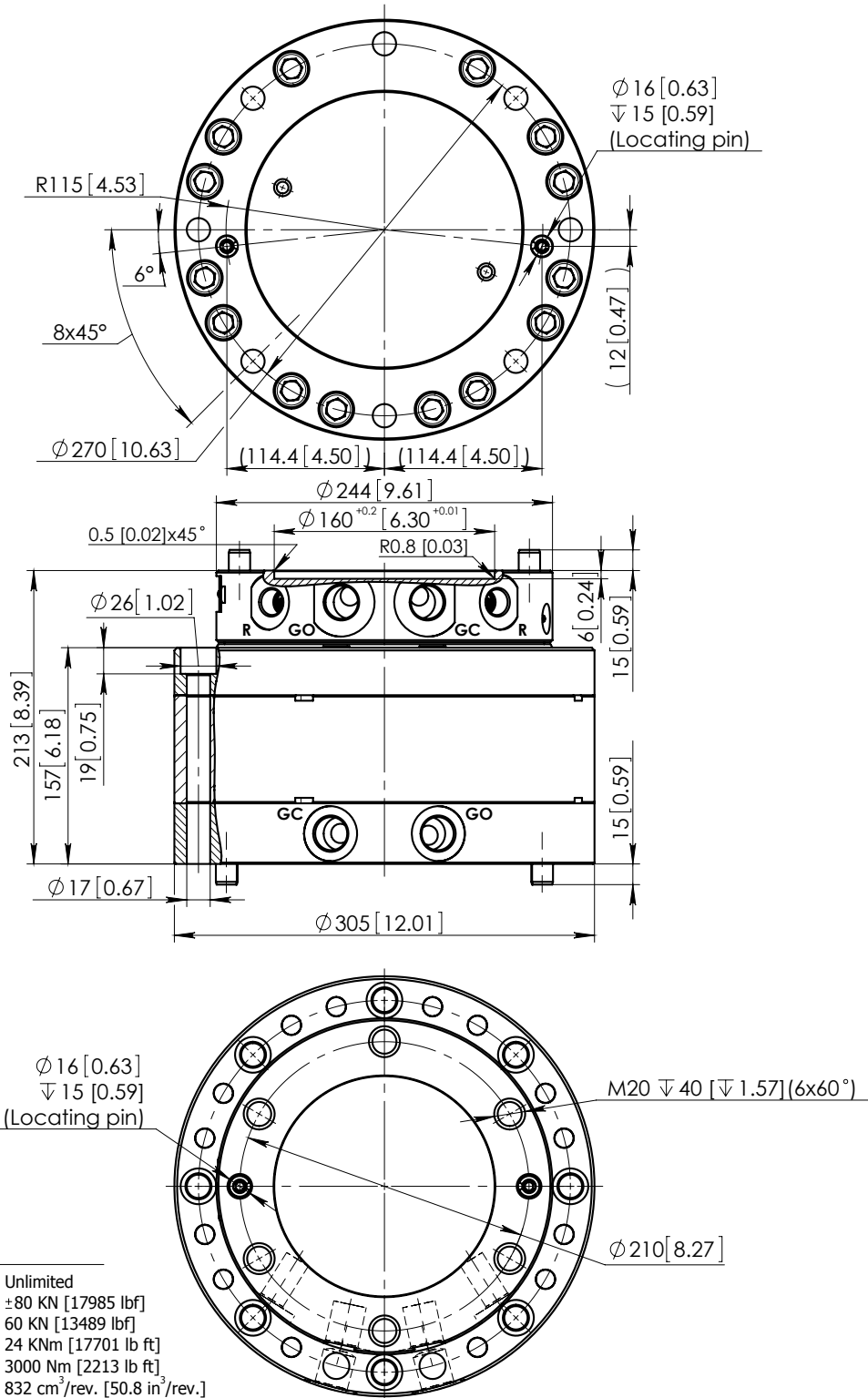


# INDUSTRIAL ROTATOR **CPR8-01** (PATENTED)



## Technical data

|                           |  |
|---------------------------|--|
| Rotation                  | Unlimited  |
| Max axial load            | ±80 kN [17985 lbf]                                     |
| Max radial load           | 60 kN [13489 lbf]                                      |
| Moment of deflection      | 24 kNm [17701 lb ft]                                   |
| Torque at 25 Mpa          | 3000 Nm [2213 lb ft]                                   |
| Rated displacement        | 832 cm <sup>3</sup> /rev. [50.8 in <sup>3</sup> /rev.] |
| Rotation speed            | max 30 rpm   |
| Oil duct area for grapple | 150 mm <sup>2</sup> [0.232 in <sup>2</sup> ]           |
| Weight                    | 99 kg [217 lb]   |

| Function                       | Max working pressure | Rec oilflow                | Connection |
|--------------------------------|----------------------|----------------------------|------------|
| <b>R</b> - rotation            | 25 MPa [3625 psi] *  | 30 l/min [7.9 gal(US)/min] | G 1/2      |
| <b>GO</b> - grapple/tool open  | 35 MPa [5076 psi]    |                            | G 3/4      |
| <b>GC</b> - grapple/tool close | 35 MPa [5076 psi]    |                            | G 3/4      |

\* Relief valves fitted

## Operating machine

e.g. excavator max weight

Connected via link 16t  
Rigid mounted 10.5t